

DRCOS
SITE <http://dr-cos.com>
MAIL info@dr-cos.com
Twitter https://twitter.com/@drcos_com
facebook <https://www.facebook.com/drcoscom>

How to make

Sorry if I haven't made myself understood (in English. You know I'm poor at English.

- 1.iron on the interfacing(heavy weight) to "E
 - 2."side" is sew up and loop
 - 3."top" and "side" sew pieces
 - 4."brim" is sew up and loop
- The surface and the back are same.
- 5.two "brims" are sewn up
 - 6."side" "brim" is sewn up.

Seam allowa

Sailor hat 2
Brim
one sheets
(heavy weight)
one sheets

allowance 1/2in.

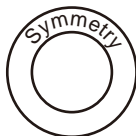


Bonding line Aa

Bonding line Ab

understood (well)
English.
(weight) to "Brim"

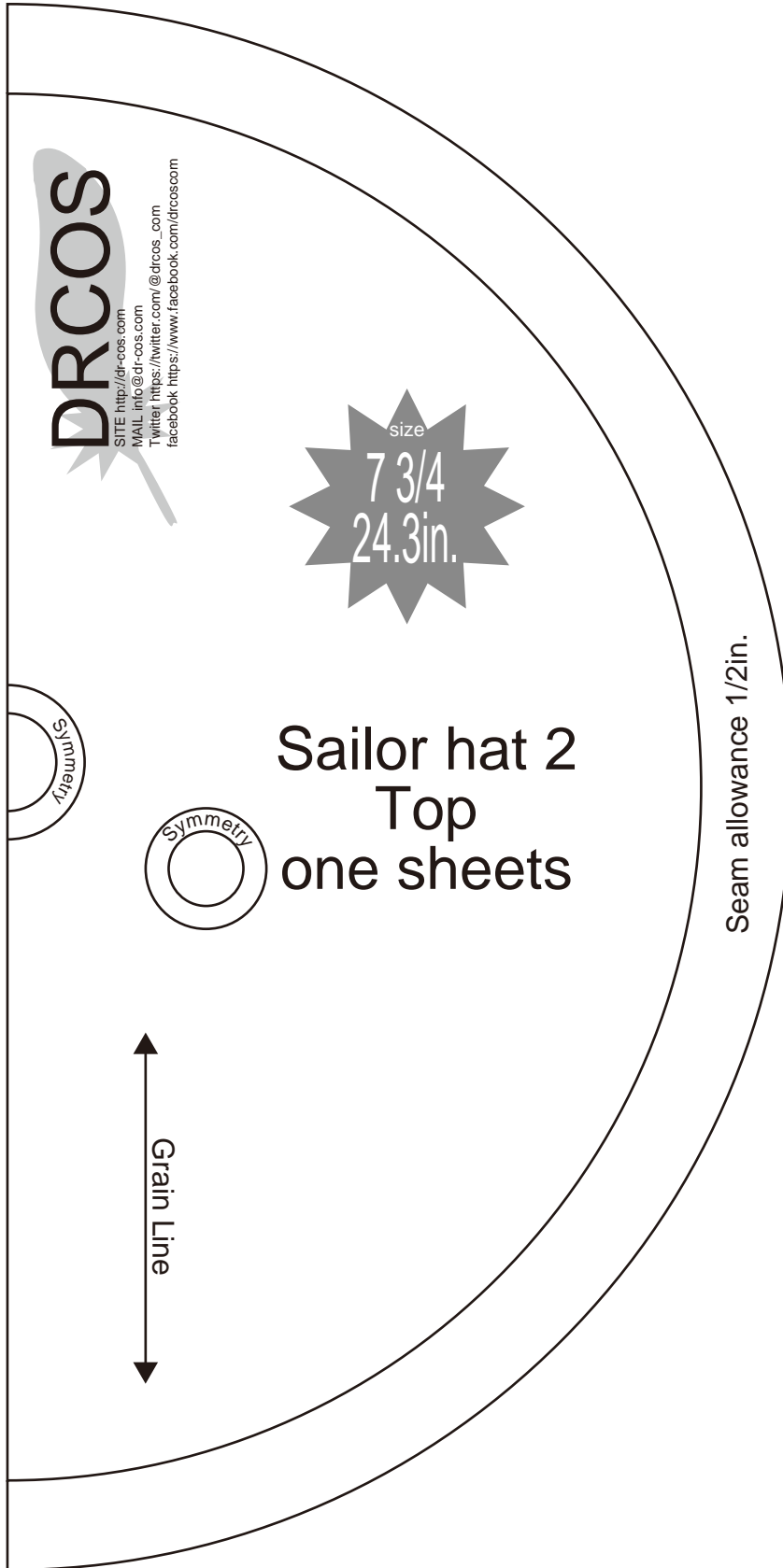
Sailor hat 2
Side
one sheets



allowance 1/2in.

Bonding line BA

Bonding line Ab



Bonding line CA

Bonding line Ac