



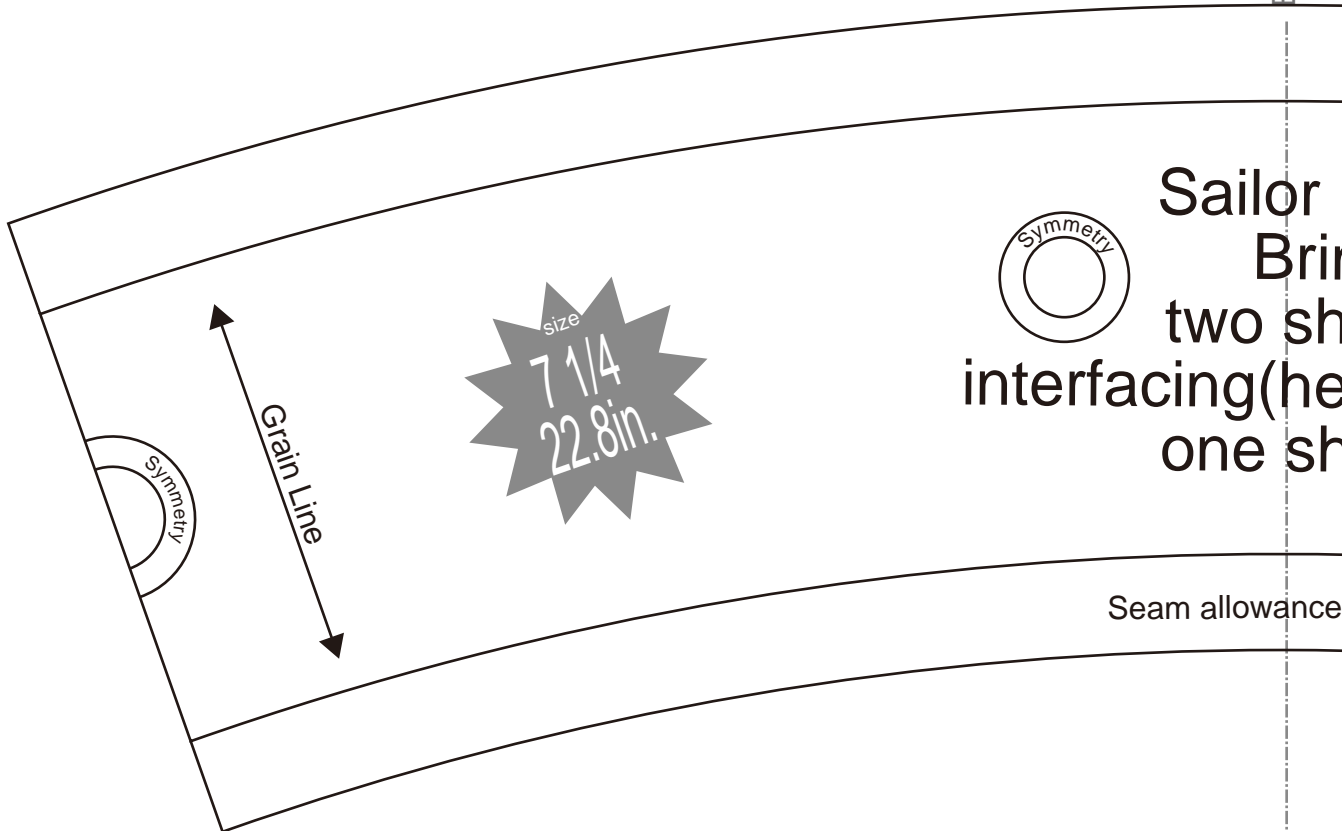
How to make

Sorry if I haven't made myself understood in English. You know I'm poor at English.

- 1.iron on the interfacing(heavy weight)
 - 2."side" is sew up and loop
 - 3."top" and "side" sew pieces
 - 4."brim" is sew up and loop
- The surface and the back are same.
- 5.two "brims" are sewn up
 - 6."side" "brim" is sewn up.

Seam allowance

Bonding line AA



Sailor
Brim
two sh
interfacing(he
one sh

Seam allowance

Bonding line AA

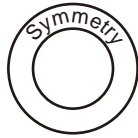
lf understood (well)
or at English.

vy weight) to "Brim"

s

e same.

m allowance 1/2in.



Sailor hat 2 Side one sheets



Sailor hat 2
Brim
o sheets
g (heavy weight)
e sheets

allowance 1/2in.

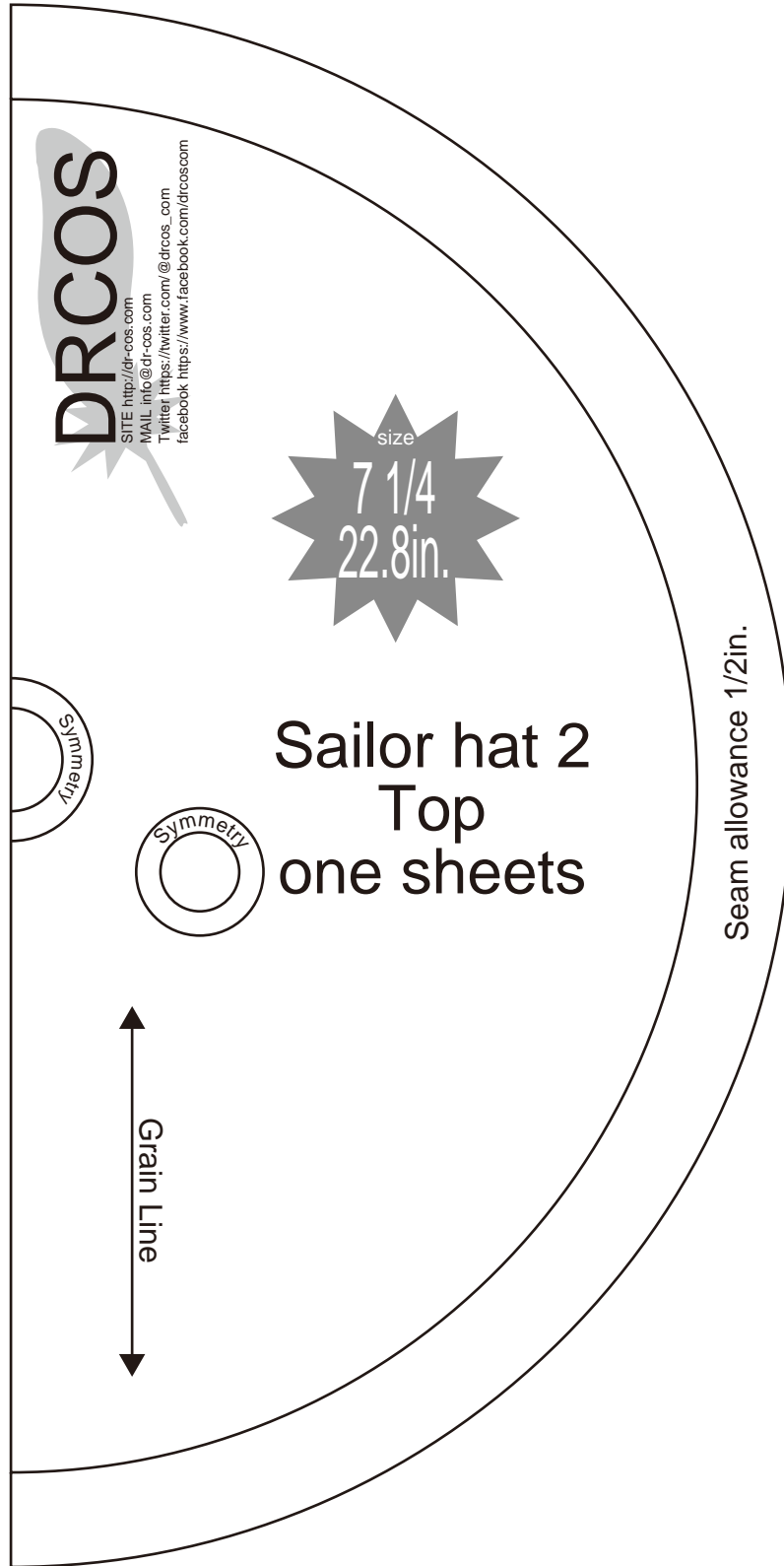


Bonding line BA

Bonding line Aa

Bonding line Ab

Bonding line Ab



Bonding line CA

Bonding line Ac