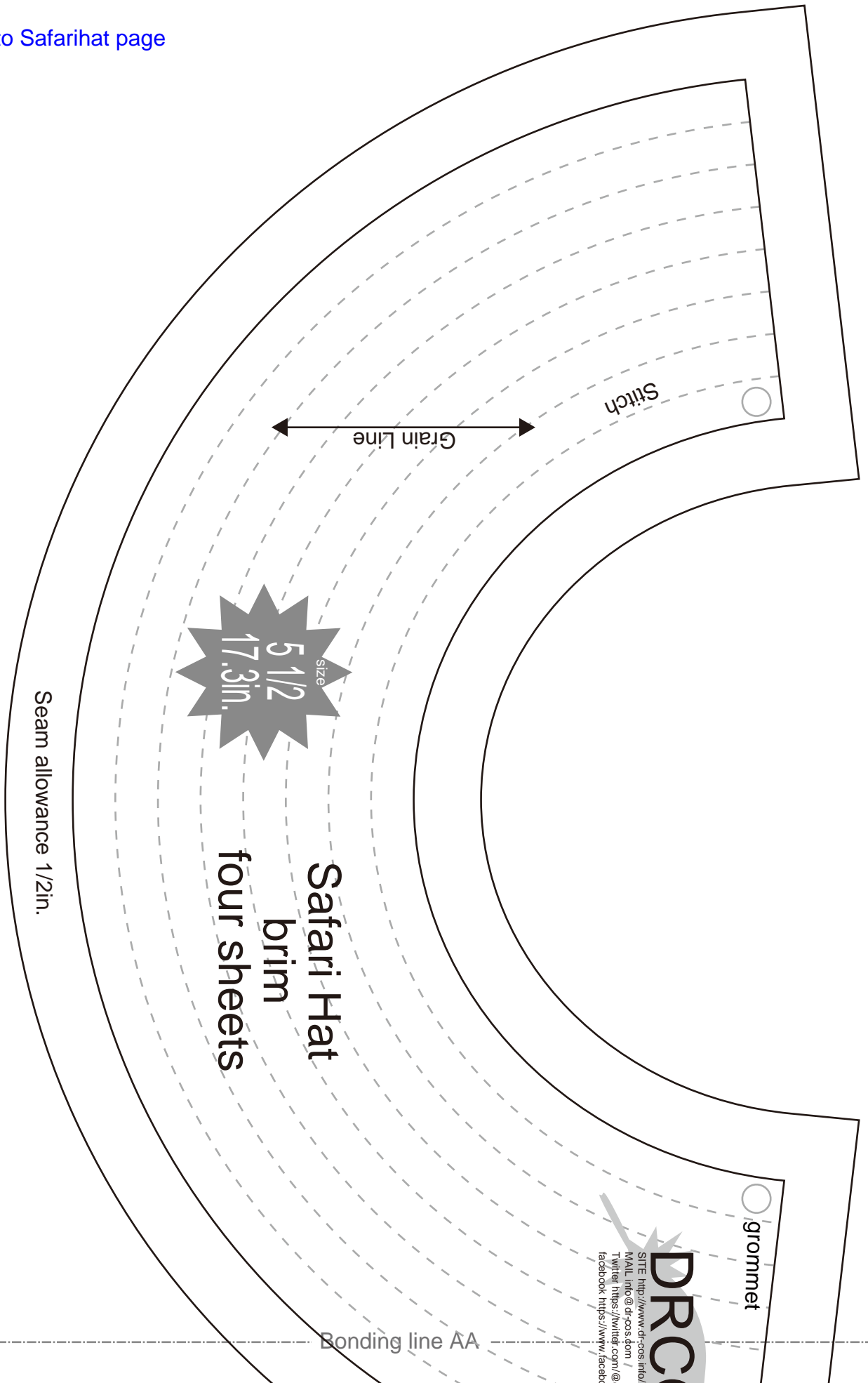


[Home](#)
[Back to Safarihat page](#)



Size
5 1/2
17.3in.

Safari Hat
brim
four sheets

Seam allowance 1/2in.

Bonding line Aa

grommet

DRC

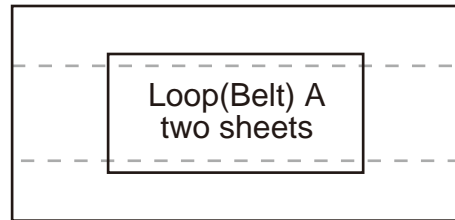
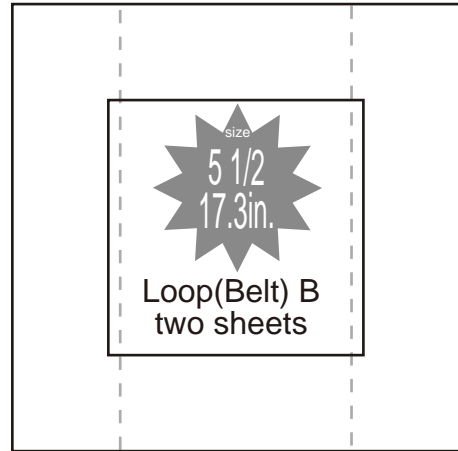
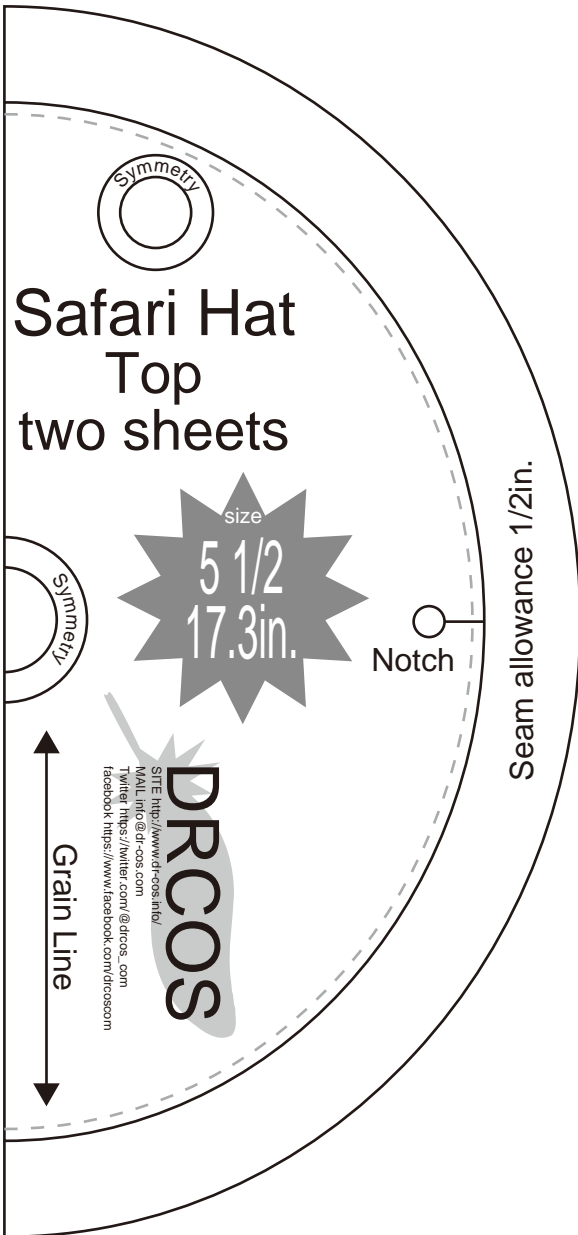
SITE <http://www.dr-cos.info/>
MAIL info@dr-cos.com /
Twitter [@dr-cos](https://twitter.com/dr-cos)
facebook <https://www.facebook.com/dr-cos>

Bonding line Aa

Bonding line AA

www.drcos.info
@drcos.com
@drcos.com
https://www.facebook.com/drcoscom

DRCOS



Bonding line AB

Bonding line Ba

