

[Home](#)  
[Back to Tophat page](#)



**Tophat  
Side  
one sheets**

Bonding line Aa

Bonding line AA

Bonding line AA

match marks

size  
 6 1/4  
 19.6in.

Seam allowance 1/2in.

**Tophat**  
**Brim**  
**two sheets**

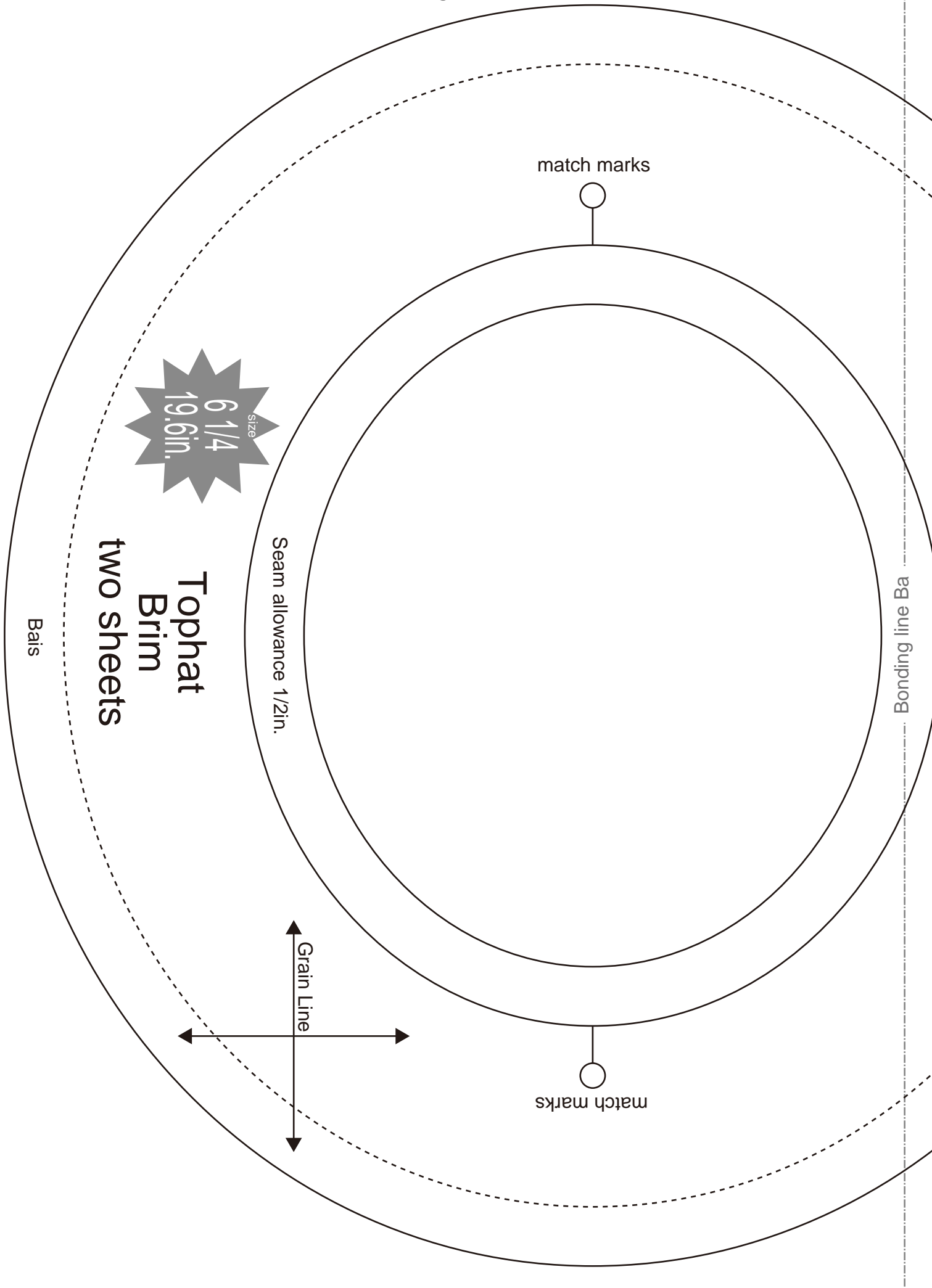
Bais

Bonding line Ba

Grain Line

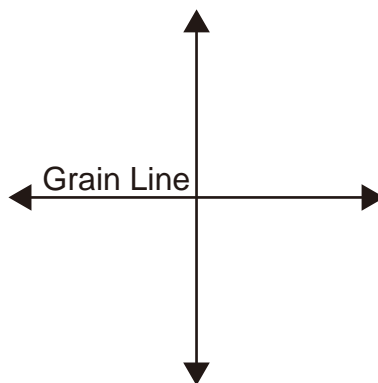
match marks

Bonding line AB



Bonding line Aa

match marks



match marks

Bonding line BA

How to make

Sorry if I have  
in English. You

- 1.iron on the i
  - 2."side" is sev
  - 3."top" and "s
  - 4."brim" is sev
- The surface a
- 5.two "brims"
  - 6.In a "brim",
  7. "side" "brim

Bonding line Ab

Bonding line BA

size  
6 1/4  
19.6in.

**Tophat  
Brim**  
interfacing (heavy weight)  
**two sheets**

Bonding line Bb

**DRCOS**  
SITE <http://dr-cos.com>  
MAIL [info@dr-cos.com](mailto:info@dr-cos.com)  
TWITTER [@drcos.com](https://twitter.com/@drcos.com)  
FACEBOOK <https://www.facebook.com/drcos.com>

Bonding line Ba

match marks

size  
6 1/4  
19.6in.

SITTING  
MAIL  
TWITTER  
FACEBOOK

Bonding line

Gra

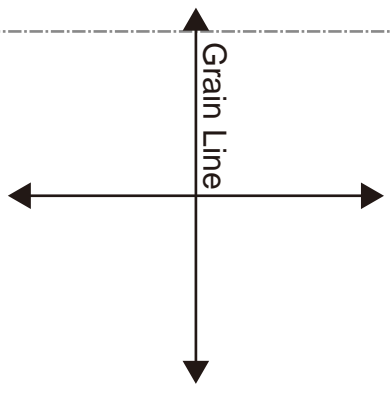
Seam

Bonding line Ca

Bonding line Cb

**DRCOS**  
 SITE <http://dr-cos.com>  
 MAIL [info@dr-cos.com](mailto:info@dr-cos.com)  
 Twitter [@drcos\\_com](https://twitter.com/@drcos_com)  
 facebook <https://www.facebook.com/drcoscom>

size  
**6 1/4**  
**19.6in.**  
**Tophat**  
**Top**  
**one sheets**



Bonding line

Seam allowance 1/2in.

match marks



**DRCOS**  
 SITE <http://dr-cos.com>  
 MAIL [info@dr-cos.com](mailto:info@dr-cos.com)  
 Twitter [@drcos\\_com](https://twitter.com/@drcos_com)  
 facebook <https://www.facebook.com/drcoscom>

size  
**6 1/4**  
**19.6in.**

**Tophat**  
**Top**  
 interfacing(heavy weight)  
**two sheets**

Bonding line BC



to make

If I haven't made myself understood (well)  
English. You know I'm poor at English.

on the interfacing (heavy weight) to "top" "side" "brim"  
"e" is sew up and loop  
" and "side" sew pieces  
"h" is sew up and loop  
urface and the back are same.  
"brims" are sewn up by a dotted line.  
"brim", bias (A wire is put in.)  
e" "brim" is sewn up.

Brimming Ab

Bonding line Ac

Seam allowance 1/2in.

Bonding line CA

Bonding line CA

Bonding line Bb



Bonding line Bc

Bonding line CB

Bonding line Ac

Bonding line Ad

one she  
interfaci  
Side  
Top



Bonding line DA





**Top hat**  
**Side**  
ing (heavy weight)  
**e sheets**

Bonding line Bc

Bonding line Bd

Bonding line DB